

## Armario rack mural 19" doble sección

### Características

Armario rack mural de 19" para entornos IT

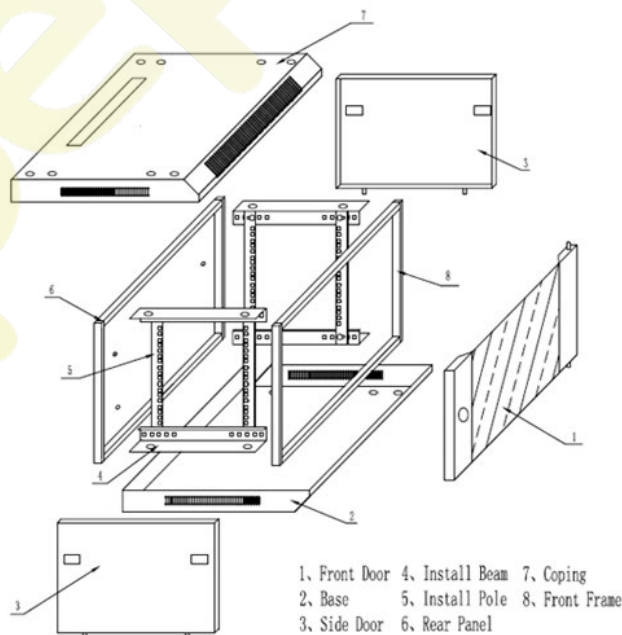
Puerta frontal de vidrio templado

Puertas laterales y posterior

Cerraduras en puerta frontal y parte posterior

Capacidad de carga estática de hasta 60 kg

### Dibujos técnicos



## Datos técnicos

No.	Specification	Qty.	Unit	Material	Surface Finish	Remark
1	Top Cover	1	PCS	SPCC Cold rolled steel 1.0	Powder coated	/
2	Bottom panel	1	PCS	SPCC Cold rolled steel 1.0	Powder coated	/
3	Mounting Profile	4	PCS	SPCC Cold rolled steel 1.5	Powder coated	/
4	Mounting angle	2	PCS	SPCC Cold rolled steel 1.2	Powder coated	/
5	Toughened glass front door	1	PCS	SPCC 1.5/Toughened glass5.0	Powder coated	High Density vented door/ sheet steel door/ double section high density vented door optional
6	Frame	2	PCS	SPCC Cold rolled steel 1.2	Powder coated	/
7	Side panel	2	PCS	SPCC Cold rolled steel 1.0	Powder coated	/
8	rear box	1	PCS	SPCC Cold rolled steel 1.2		
9	Small round lock	1	PCS	/	Nickel coated	with 2keys
10	M6 Screw and Square Nuts	10	SET	steel	Zinc coated	

### Standard

Comply with ANSI/EIARS-310-D,DIN41491;PART1,IEC297-2,DIN41494;PART7,GB.T3047.2-92  
Standard.Compatible with metric ETSI and 10 inch international standard

### Features

Material: Cold Rolled Steel

10" standard assembly width

Double section welded frame structure

Easy operation and maintaining at the back

Removable side panels,easy installing and maintaining

Cable entering hole on the both of the cover and bottom

High strength toughened glass front door

Degrease, acid picking, rust prevention and parkerizing pure water cleaning, static electricity plastic for the surface

Color: Black

### Accessories

Screw and Nut (serial), fixed shelves (optional)

### Packing Method

Whole package.

Whole package: The cabinet have been assembled.The whole cabinet are packed into one export carton.

Referencia	Código EAN	Uds. caja	Dimensiones	Peso
RAD-06655-ST	8436539911203	1	6U (60 x 55 x 37 cm)	12 kg
RAD-09655-ST	8436539910572	1	9U (60 x 55 x 50 cm)	19 kg
RAD-12655-ST	8436539911470	1	12U (60 x 55 x 64 cm)	22 kg
RAD-15655-ST	8436539910183	1	15U (60 x 55 x 77 cm)	25 kg



Made in China.



Las especificaciones e imágenes están sujetas a cambios sin previo aviso.  
Los nombres referidos y las marcas registradas son pertenecen a sus propietarios.