



## Armario rack 19" tipo cabina

### Características

Armario rack tipo cabina de 19" para entornos IT

Incluye ruedas, pies de ajuste, 1 bandeja fija, ventiladores (2uds 22U/32U y 4uds 42U) y termostato

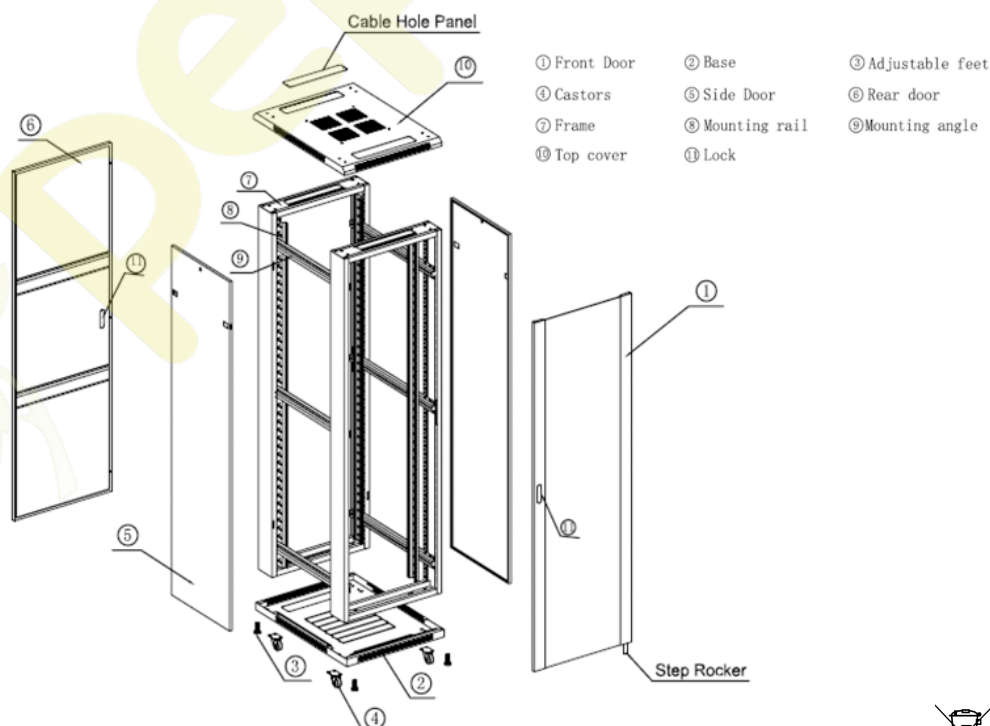
Puerta frontal de vidrio templado

Puerta trasera metálica

Puertas laterales de apertura

Capacidad de carga estática de hasta 800 kg

### Dibujos técnicos



## Datos técnicos

Specification	Qty.	Unit	Material	Surface Finish	Remark
Top Cover	1	PCS	SPCC Cold rolled steel 1.0 or 1.2	Powder coated	600mm depth for 1.0mm, above is 1.2mm
Bottom panel	1	PCS	SPCC Cold rolled steel 1.0 or 1.2	Powder coated	600mm depth for 1.0mm, above is 1.2mm
Mounting Profile	4	PCS	SPCC Cold rolled steel 2.0	Powder coated	
Mounting angle	6	PCS	SPCC Cold rolled steel 1.5	Powder coated	4pcs of lower 32U
Toughened glass or mesh front door	1	PCS	SPCC 1.5/Toughened glass5.0	Powder coated	High Density vented door/ sheet steel door/ double section high density vented door optional
Frame	2	PCS	SPCC Cold rolled steel 1.2	Powder coated	/
Fan unit	1	PCS	SPCC Cold rolled steel 1.0	Powder coated	/
Fan	2	PCS	120*120*38mm	/	4pcs for over 600 width and 600 depth
Side panel	2	PCS	SPCC Cold rolled steel 1.0 or 1.2	Powder coated	600mm or 800mm depth for 1.0mm, above is 1.2mm
rear door	1	PCS	SPCC Cold rolled steel 1.0 or 1.2	Powder coated	600mm or 800mm width for 1.0mm, above is 1.2mm
Spring lock	1	PCS	/	/	with 2keys
Small round lock	1	PCS	/	Nickel coated	with 2keys
M6 Screw and Square Nuts	20	SET	steel	Zinc coated	40sets for over 32U
Adjustable feet	4	PCS	steel	Zinc coated	/
Wheels	4	PCS	/	/	/

### Standard

Comply with ANSI/EIARS-310-D,DIN41491;PART1,IEC297-2,DIN41494;PART7,GB.T3047.2-92 Standard.Compatible with metric ETSI and 19 inchinternational standard

### Features

Material: Cold Rolled Steel

Modern stylish appearance and elegant exterior

19" standard assembly width

Detachable Composite Structure

Vertical cabinet can move backwards and forwards and adjust up and down to mount instrument

Fan heat dissipation device

Equipped with castor and adjustment feet

Degrease, acid picking, rust prevention and parkerizing pure water cleaning, static electricity plastic for the surface

High strength toughened glass or perforated front door

Maximum Static Loading Capacity:800KGS(With adjustable feet)

Color: Black

### Accessories

Screw and Nut (serial). 4pcs castor and adjustment feet (serial) fixed shelve (serial) 2 fans for 600x600MM for cabinets (serial). 4 fans for 600x800/900/1000MM for cabinets (serial). Thermostat (serial). Sliding shelf (optional). 19" PDU (optional).

### Packing Method

Whole package: The cabinet have been assembled.The whole cabinet are packed into one export carton.

Referencia	Código EAN	Uds. caja	Dimensiones	Peso
RAC-22660-HQ	8436539914358	1	22U (60 x 60 x 104 cm)	35 kg
RAC-32660-HQ	8436539914365	1	32U (60 x 60 x 161 cm)	55 kg
RAC-42660-HQ	8436539914372	1	42U (60 x 60 x 198 cm)	95 kg



Made in China.



Las especificaciones e imágenes están sujetas a cambios sin previo aviso. Los nombres referidos y las marcas registradas son pertenecen a sus propietarios.