



Rollo cable antenna cobre RG6 blanco cubierta PVC

Características

Tipo Cable Coaxial: RG6

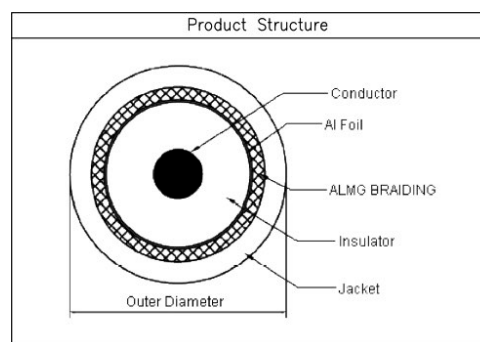
Color del cable PVC blanco

Superficie: 0.785mm²

Impedancia: 75Ω

Dibujos técnicos

Cable Structure		
Conductors	Construction:	1/1 ±0.05 mm
	Material:	Copper
	Outer Diameter:	1 ±0.05 mm
Insulators	Material:	Foamed PE
	Diameter:	4.57 ±0.01 mm
	Average Thickness:	1.7 ±0.05 mm
Outer Conductors	AL-PET Foil:	70 B. AL
	Braid:	Braid
	Material:	ALMG
	Coverage:	64/0.12 ±0.08 mm
	Diameter:	5.2 ±0.15 mm
Jacket	Material:	PVC
	Diameter:	6.6 ±0.15 mm
	Average Thickness:	0.7 ±0.1 mm
	Colour:	White



Datos técnicos

Specifications	
Reel Length:	25m / 100m
Coaxial Cable Type:	RG6
Conductor Material:	Copper
Conductor Area CSA:	0.785mm ²
Impedance:	75Ω
Primary Screen Material:	PVC

Referencia	Código EAN	Uds. caja	Longitud
CAB-88025-BST	8436539915591	30	25 m
CAB-88100-BST	8436539915645	6	100 m

